

UART to RS232
 1. JP1 - 1<->2
 2. JP2 - 1<->2
 3. JP3, JP4, JP5 - open

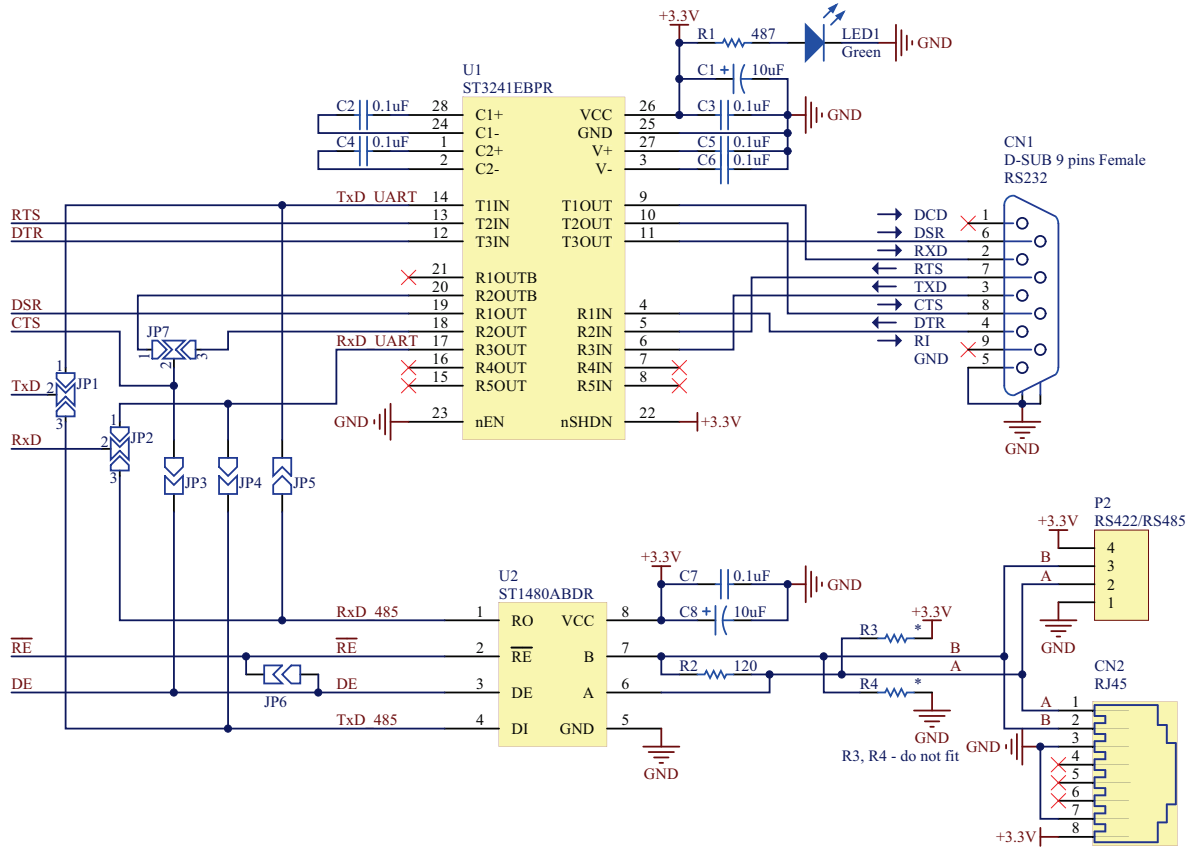
UART to RS485
 1. JP1 - 3<->2
 2. JP2 - 3<->2
 3. JP3, JP4, JP5 - open

RS232 to RS485
 1. JP1 - open
 2. JP2 - open
 3. JP3, JP4, JP5 - close

*** JP6 default close ***

JP7 - 1<->2, Set RTS (CN1) low while sending.

JP7 - 2<->3, Set RTS (CN1) high while sending.



Title : aMG 232/485INF		
Rev : 1.3	Date : 05-28-2013	Sheet : 1 of 1