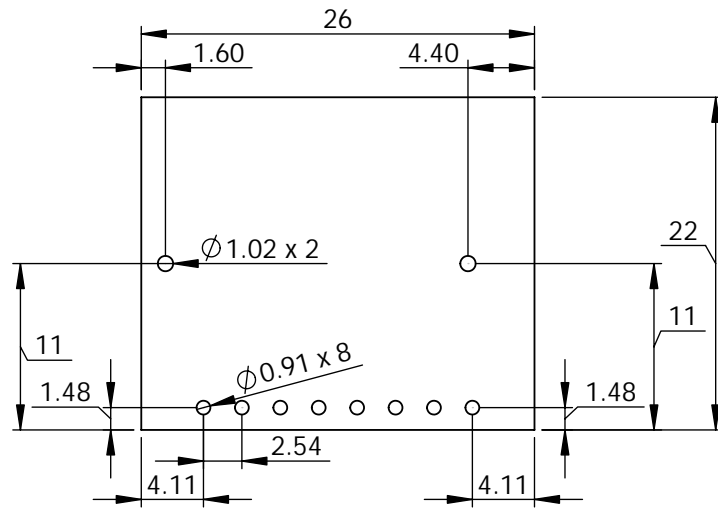
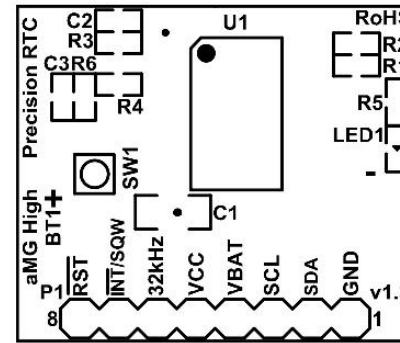


ENGINEERING DRAWINGS (Units: mm)



Dimension



Outline

Aimagin

Title :
aMG High Precision RTC

Rev : 1.3

Date : 05-27-2013

Sheet : 1 of 1